



GS VOCE MAX 15N100

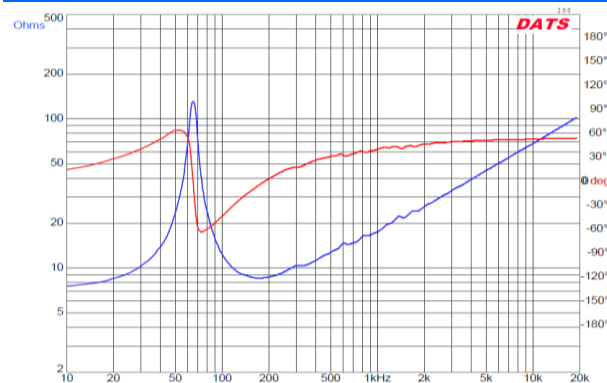
4+4 Ohm

General Specifications

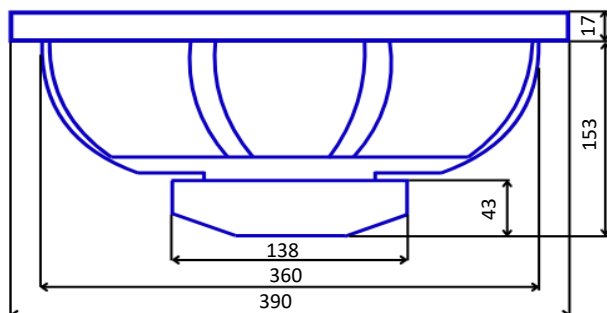
Nominal Diameter	380 mm
Nominal Impedance	4+4 Ohm
Minimum Impedance	7,23 Ohm
RMS Power	1000 WRMS
Max Power	2000 W
Frequency Range	80 ÷ 2000 Hz
Efficiency (Eta 0)	2,71%
Sensibility (2.83 V) - 2 Ohm coil	100,42 dB
Sensibility (2.83 V) - 8 Ohm coil	96,42
Voice coil Diameter	100 mm
Voice Coil Wire	100% copper

Thiele&Small Parameters

Re (ohm)	7,23
Fs (Hz)	65,27
Le (mH)	1,08
Vas (L)	73,06
Cms (mm/N)	0,07
BxL (T*m)	19,29
Qts	0,68
Qms	12,2
Qes	0,72
Xmax (mm - one way)	9,5
Mms (g)	89,86



Drawing dimension / installation

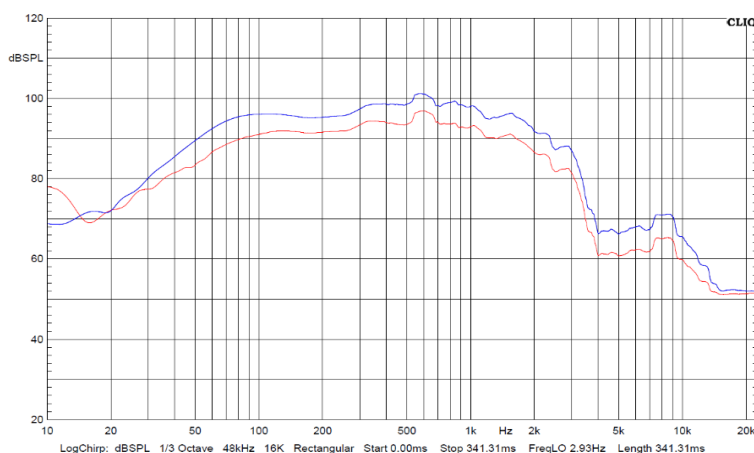


Technical Parameter

Voice coil winding height	24 mm
Voice coil former	composite fiber
Magnet material	neodymium
Magnet dimension	95*10 mm
Gap Height	10 mm
Demulation ring	no
Crossover advice HPF	85 Hz - 18 dB
Crossover advice LPF	1700 Hz - 12 dB
Minimum power advice	500 WRMS
Terminal connection	Push terminal
Surround Material	Cloth
Surround type	Dual wave
Cone material	Pressed paper

Speaker / Package dimension

Outer diameter	390 mm
Installation diameter	360 mm
Mounting depth	153 mm
Magnet diameter	138 mm
Type basket	Alluminium
Volume speaker	5 L
Speaker Weight	6 kg
Package Weight	6,5 kg
Shipping box	42*42*20 cm



— Woofers connected in series
— Woofers connected in parallel

Gs Audio Srl - www.gsaudio.it

Via Matteotti 220/A - San Possidonio MO - Italy
Whatsapp +39 3473263458 - e-mail: info@gsaudio.it